



# Split-type Air-Conditioner

MXZ-2D33VA  
MXZ-2D40VA  
MXZ-2D53VA(H)

English is original.

Übersetzung des  
Originals

Traduction du texte  
d'origine

Vertaling van het  
origineel

Traducción del  
original

Traduzione  
dell'originale

Μετάφραση του  
αρχικού

Tradução do  
original

Oversættelse af  
den originale tekst

Översättning från  
originalen

Orjinalin çevirisi

Перевод  
оригинала

## Installation Manual

For INSTALLER

- This manual only describes the installation of outdoor unit.  
When installing the indoor unit, refer to the installation manual of indoor unit.

## Installationsanleitung

Für INSTALLATEUR

- Diese Installationsanleitung gilt nur für die Installation des Außengerätes.  
Zur Installation des Innengeräts siehe die Installationsanleitung für Innengeräte.

## Notice d'installation

Destinée à l'INSTALLATEUR

- Cette notice ne décrit que l'installation de l'appareil extérieur.  
Lors de l'installation de l'appareil intérieur, consultez la notice d'installation de cet appareil.

## Installatiehandleiding

Voor de INSTALLATEUR

- Deze handleiding beschrijft alleen de installatie van de buitenunit.  
Raadpleeg de installatiehandleiding van de binnenunit wanneer u deze installeert.

## Manual de instalación

Para el INSTALADOR

- En este manual sólo se describe la instalación de la unidad exterior.  
Para instalar la unidad interior, consulte el manual de instalación de dicha unidad.

## Manuale per l'installazione

Per il TECNICO INSTALLATORE

- Questo manuale descrive solo l'installazione dell'unità esterna.  
Per l'installazione dell'unità interna, fare riferimento al relativo manuale di installazione.

## Εγχειρίδιο εγκατάστασης

Για τον ΤΕΧΝΙΚΟ

- Στο παρόν εγχειρίδιο περιγράφεται μόνο η εγκατάσταση της μονάδας εξωτερικού χώρου.  
Για την εγκατάσταση της μονάδας εσωτερικού χώρου, ανατρέξτε στο εγχειρίδιο εγκατάστασης της μονάδας εσωτερικού χώρου.

## Manual de Instalação

Para o INSTALADOR

- Este manual descreve apenas a instalação da unidade exterior.  
Quando proceder à instalação da unidade interior, consulte o manual de instalação da unidade interior.

## Installationshåndbog

Til INSTALLATØREN

- Denne håndbog beskriver kun, hvordan udendørsenheden installeres.  
Vedrørende installation af indendørsenheden henvises til installationshåndbogen for indendørsenheden.

## Installationsanvisning

För INSTALLATÖREN

- Denna installationsanvisning beskriver endast installation av utomhusenheten.  
Se den separata installationsanvisningen för inomhusenheten.

## Kurulum Kılavuzu

TESİSATÇI İÇİN

- Bu kılavuzda yalnızca dış ünitenin kurulumu açıklanmaktadır.  
İç ünite kurulum işlemini yaparken iç ünite kurulum kılavuzuna bakın.

## Руководство по установке

Для МОНТАЖНИКА

- В данном руководстве приводится описание установки только наружного прибора.  
При установке внутреннего прибора см. руководство по установке внутреннего прибора.

English

Deutsch

Français

Nederlands

Español

Italiano

Ελληνικά

Português

Dansk

Svenska

Türkçe

Русский

**CONTENTS**

1. BEFORE INSTALLATION .....	1
2. OUTDOOR UNIT INSTALLATION .....	3
3. FLARING WORK AND PIPE CONNECTION.....	3
4. PURGING PROCEDURES, LEAK TEST, AND TEST RUN.....	4
5. RELOCATION AND MAINTENANCE .....	5

**Required Tools for Installation**

Phillips screwdriver	Flare tool for R410A
Level	Gauge manifold for R410A
Scale	Vacuum pump for R410A
Utility knife or scissors	Charge hose for R410A
Torque wrench	Pipe cutter with reamer
Wrench (or spanner)	
4 mm hexagonal wrench	

**1. BEFORE INSTALLATION**

**1-1. THE FOLLOWING SHOULD ALWAYS BE OBSERVED FOR SAFETY**

- Be sure to read "THE FOLLOWING SHOULD ALWAYS BE OBSERVED FOR SAFETY" before installing the air conditioner.
- Be sure to observe the warnings and cautions specified here as they include important items related to safety.
- After reading this manual, be sure to keep it together with the OPERATING INSTRUCTIONS for future reference.

**⚠ WARNING (Could lead to death, serious injury, etc.)**

- **Do not install the unit by yourself (user).**  
Incomplete installation could cause fire or electric shock, injury due to the unit falling, or leakage of water. Consult the dealer from whom you purchased the unit or a qualified installer.
- **Perform the installation securely referring to the installation manual.**  
Incomplete installation could cause fire, electric shock, injury due to the unit falling, or leakage of water.
- **When installing the unit, use appropriate protective equipment and tools for safety.**  
Failure to do so could cause injury.
- **Install the unit securely in a place which can bear the weight of the unit.**  
If the installation location cannot bear the weight of the unit, the unit could fall causing injury.
- **Electrical work should be performed by a qualified, experienced electrician, according to the installation manual. Be sure to use an exclusive circuit. Do not connect other electrical appliances to the circuit.**  
If the capacity of the power circuit is insufficient or there is incomplete electrical work, it could result in a fire or an electric shock.
- **Do not damage the wires by applying excessive pressure with parts or screws.**  
Damaged wires could cause fire or electric shock.
- **Be sure to cut off the main power in case of setting up the indoor P.C. board or wiring works.**  
Failure to do so could cause electric shock.
- **Use the specified wires to connect the indoor and outdoor units securely and attach the wires firmly to the terminal block connecting sections so the stress of the wires is not applied to the sections. Do not extend the wires, or use intermediate connection.**  
Incomplete connecting and securing could cause fire.
- **Do not install the unit in a place where inflammable gas may leak.**  
If gas leaks and accumulates in the area around the unit, it could cause an explosion.
- **Do not use intermediate connection of the power cord or the extension cord and do not connect many devices to one AC outlet.**  
It could cause a fire or an electric shock due to defective contact, defective insulation, exceeding the permissible current, etc.
- **Be sure to use the parts provided or specified parts for the installation work.**  
The use of defective parts could cause an injury or leakage of water due to a fire, an electric shock, the unit falling, etc.
- **When plugging the power supply plug into the outlet, make sure that there is no dust, clogging, or loose parts in both the outlet and the plug. Make sure that the power supply plug is pushed completely into the outlet.**  
If there is dust, clogging, or loose parts on the power supply plug or the outlet, it could cause electric shock or fire. If loose parts are found on the power supply plug, replace it.
- **Attach the electrical cover to the indoor unit and the service panel to the outdoor unit securely.**  
If the electrical cover of the indoor unit and/or the service panel of the outdoor unit are not attached securely, it could result in a fire or an electric shock due to dust, water, etc.
- **When installing, relocating, or servicing the unit, make sure that no substance other than the specified refrigerant (R410A) enters the refrigerant circuit.**  
Any presence of foreign substance such as air can cause abnormal pressure rise and may result in explosion or injury. The use of any refrigerant other than that specified for the system will cause mechanical failure, system malfunction, or unit breakdown. In the worst case, this could lead to a serious impediment to securing product safety.
- **Do not discharge the refrigerant into the atmosphere. If refrigerant leaks during installation, ventilate the room.**  
If refrigerant comes in contact with a fire, harmful gas could be generated. Refrigerant leakage may cause suffocation. Provide ventilation in accordance with EN378-1.
- **Check that the refrigerant gas does not leak after installation has been completed.**  
If refrigerant gas leaks indoors, and comes into contact with the flame of a fan heater, space heater, stove, etc., harmful substances will be generated.
- **Use appropriate tools and piping materials for installation.**  
The pressure of R410A is 1.6 times more than R22. Not using appropriate tools or materials and incomplete installation could cause the pipes to burst or injury.
- **When pumping down the refrigerant, stop the compressor before disconnecting the refrigerant pipes.**  
If the refrigerant pipes are disconnected while the compressor is running and the stop valve is open, air could be drawn in and the pressure in the refrigeration cycle could become abnormally high. This could cause the pipes to burst or injury.
- **When installing the unit, securely connect the refrigerant pipes before starting the compressor.**  
If the compressor is started before the refrigerant pipes are connected and when the stop valve is open, air could be drawn in and the pressure in the refrigeration cycle could become abnormally high. This could cause the pipes to burst or injury.
- **Fasten a flare nut with a torque wrench as specified in this manual.**  
If fastened too tight, a flare nut may break after a long period and cause refrigerant leakage.
- **The unit shall be installed in accordance with national wiring regulations.**
- **Earth the unit correctly.**  
Do not connect the earth to a gas pipe, water pipe, lightning rod or telephone earth. Defective earthing could cause electric shock.

**⚠ CAUTION (Could lead to serious injury in particular environments when operated incorrectly.)**

- **Install an earth leakage breaker depending on the installation place.**  
If an earth leakage breaker is not installed, it could cause electric shock.
- **Perform the drainage/piping work securely according to the installation manual.**  
If there is defect in the drainage/piping work, water could drop from the unit, soaking and damaging household goods.
- **Do not touch the air inlet or the aluminum fins of the outdoor unit.**  
This could cause injury.
- **Do not install the outdoor unit where small animals may live.**  
If small animals enter and touch the electric parts inside the unit, it could cause a malfunction, smoke emission, or fire. Also, advise user to keep the area around the unit clean.

**1-2. SPECIFICATIONS**

Model	Power supply *1			Wire specifications *2		Pipe length and height difference *3, *4, *5, *6, *7, *8			
	Rated Voltage	Fre-quency	Breaker capacity	Power supply	Indoor/outdoor connecting wire	Max. pipe length per indoor unit / for multi-system	Max. height difference *9	Max. no. of bends per indoor unit / for multi system	Refrigerant adjustment A *10
MXZ-2D33VA	230 V	50 Hz	10 A	3-core 1.0 mm <sup>2</sup>	4-core 1.0/1.5 mm <sup>2</sup>	15 m / 20 m	10 m	15 / 20	20 g/m
MXZ-2D40VA			15 A	3-core 2.0 mm <sup>2</sup>		20 m / 30 m	15 m	20 / 30	
MXZ-2D53VA(H)									

\*1 Connect to the power switch which has a gap of 3 mm or more when open to interrupt the source power phase. (When the power switch is shut off, it must interrupt all phases.)  
 \*2 Use wires in conformity with design 60245 IEC 57. Use the indoor/outdoor connecting wire in conformity with the wire specifications specified in the installation manual of the indoor unit.  
 \*3 Never use pipes with thickness less than specified. The pressure resistance will be insufficient.  
 \*4 Use a copper pipe or a copper-alloy seamless pipe.  
 \*5 Be careful not to crush or bend the pipe during pipe bending.

\*6 Refrigerant pipe bending radius must be 100 mm or more.  
 \*7 Insulation material : Heat resisting foam plastic 0.045 specific gravity  
 \*8 Be sure to use the insulation of specified thickness. Excessive thickness may cause incorrect installation of the indoor unit and insufficient thickness may cause dew drip.  
 \*9 If the outdoor unit is installed higher than the indoor unit, max. height difference is reduced to 10 m.  
 \*10 If pipe length exceeds 20 m, additional refrigerant (R410A) charge is required. (No additional charge is required for pipe length less than 20 m.)  
 Additional refrigerant = A × (pipe length (m) - 20)

### 1-3. SELECTING OPTIONAL DIFFERENT-DIAMETER JOINTS

If the diameter of connection pipe does not match the port size of outdoor unit, use optional different-diameter joints according to the following table.

(Unit: mm (inch))

Port size of outdoor unit		Optional different-diameter joints (port size of outdoor unit → diameter of connection pipe)
MXZ-2D	Liquid / Gas	6,35 (1/4) → 9,52 (3/8) : PAC-493PI 9,52 (3/8) → 12,7 (1/2) : MAC-A454JP
A, B UNIT	6,35 (1/4) / 9,52 (3/8)	9,52 (3/8) → 15,88 (5/8) : PAC-SG76RJ 12,7 (1/2) → 9,52 (3/8) : MAC-A455JP 12,7 (1/2) → 15,88 (5/8) : MAC-A456JP
Refer to the installation manual of indoor unit for the diameter of connection pipe of indoor unit.		

### 1-4. SELECTING THE INSTALLATION LOCATION

- Where it is not exposed to strong wind.
- Where airflow is good and dustless.
- Where rain or direct sunshine can be avoided as much as possible.
- Where neighbours are not annoyed by operation sound or hot air.
- Where rigid wall or support is available to prevent the increase of operation sound or vibration.
- Where there is no risk of combustible gas leakage.
- When installing the unit, be sure to secure the unit legs.
- Where it is at least 3 m away from the antenna of TV set or radio. Operation of the air conditioner may interfere with radio or TV reception in areas where reception is weak. An amplifier may be required for the affected device.
- Install the unit horizontally.
- Please install it in an area not affected by snowfall or blowing snow. In areas with heavy snow, please install a canopy, a pedestal and/or some baffle boards.

**Note:**

It is advisable to make a piping loop near outdoor unit so as to reduce vibration transmitted from there.

**Note:**

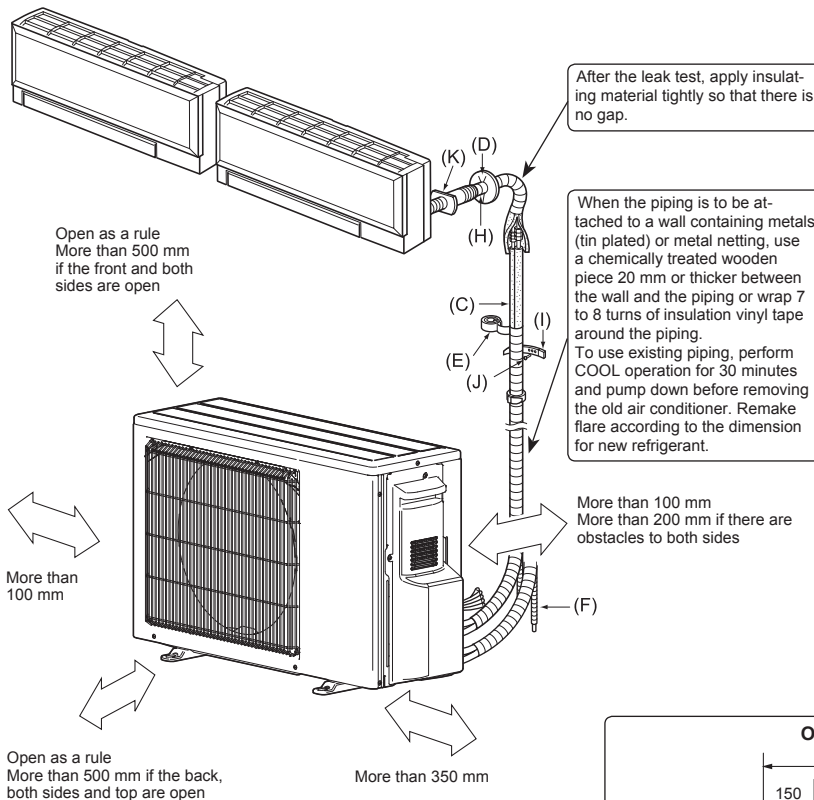
When operating the air conditioner in low outside temperature, be sure to follow the instructions described below.

- Never install the outdoor unit in a place where its air inlet/outlet side may be exposed directly to wind.
- To prevent exposure to wind, install the outdoor unit with its air inlet side facing the wall.
- To prevent exposure to wind, it is recommended to install a baffle board on the air outlet side of the outdoor unit.

Avoid the following places for installation where air conditioner trouble is liable to occur.

- Where flammable gas could leak.
- Where there is much machine oil.
- Where oil is splashed or where the area is filled with oily smoke (such as cooking areas and factories, in which the properties of plastic could be changed and damaged).
- Salty places such as the seaside.
- Where sulfide gas is generated such as a hot spring.
- Where there is high-frequency or wireless equipment.
- Where there is emission of high levels of VOCs, including phthalate compounds, formaldehyde, etc., which may cause chemical cracking.

### 1-5. INSTALLATION DIAGRAM



**ACCESSORIES**

Check the following parts before installation.

(1) Drain socket	1
------------------	---

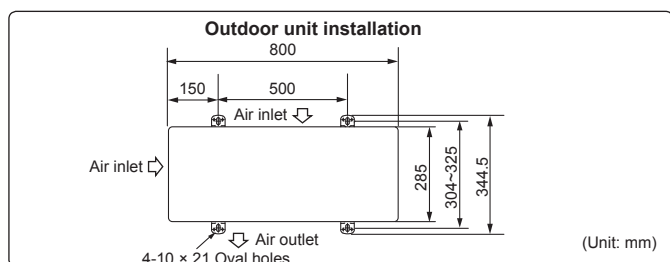
**PARTS TO BE PROVIDED AT YOUR SITE**

(A) Power supply cord*	1
(B) Indoor/outdoor unit connecting wire*	1
(C) Extension pipe	1
(D) Wall hole cover	1
(E) Piping tape	1
(F) Extension drain hose (or soft PVC hose, 15 mm inner diameter or hard PVC pipe VP16)	1
(G) Refrigeration oil	Little amount
(H) Putty	1
(I) Pipe fixing band	2 to 7
(J) Fixing screw for (I)	2 to 7
(K) Wall hole sleeve	1
(L) Soft PVC hose, 15 mm inner diameter or hard PVC pipe VP16 for drain socket (1)	1

**\* Note:**

Place indoor/outdoor unit connecting wire (B) and power supply cord (A) at least 1 m away from the TV antenna wire.

The "Q'ty" for (B) to (K) in the above table is quantity to be used per indoor unit.



Units should be installed by licensed contractor according to local code requirements.

## 1-6. DRAIN PIPING FOR OUTDOOR UNIT

Please perform the drain piping work only when draining from one place.

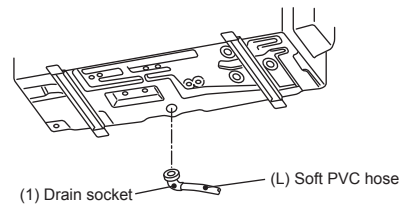
- 1) Provide drain piping before indoor and outdoor piping connection.
- 2) Connect the soft PVC hose (L) I.D.15 mm as shown in the illustration.
- 3) Make sure to provide drain piping with a downhill grade for easy drain flow.

### Note:

Install the unit horizontally.

Do not use the drain socket (1) in the cold regions. Drain may freeze and it makes the fan stop.

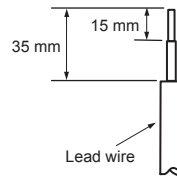
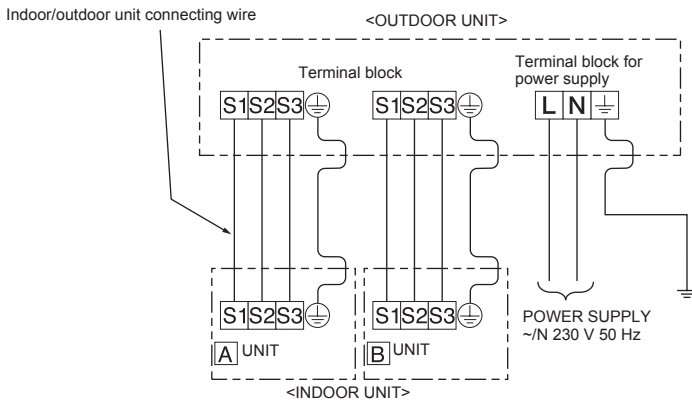
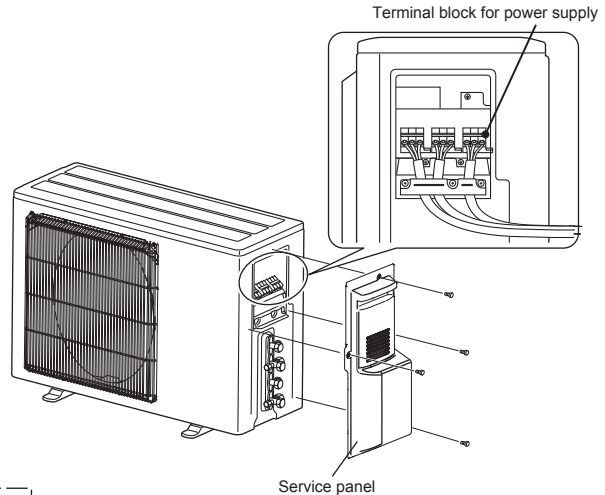
The outdoor unit produces condensate during the heating operation. Select the installation place to ensure to prevent the outdoor unit and/or the grounds from being wet by drain water or damaged by frozen drain water.



## 2. OUTDOOR UNIT INSTALLATION

### 2-1. CONNECTING WIRES FOR OUTDOOR UNIT

- 1) Remove the service panel.
  - 2) Loosen terminal screw, and connect indoor/outdoor unit connecting wire (B) from the indoor unit correctly on the terminal block. Be careful not to make mis-wiring. Fix the wire to the terminal block securely so that no part of its core is appeared, and no external force is conveyed to the connecting section of the terminal block.
  - 3) Firmly tighten the terminal screws to prevent them from loosening. After tightening, pull the wires lightly to confirm that they do not move.
  - 4) Perform 2) and 3) for each indoor unit.
  - 5) Connect power supply cord (A).
  - 6) Fix indoor/outdoor unit connecting wire (B) and power supply cord (A) with the cable clamps.
  - 7) Close the service panel securely. Make sure that 3-2. PIPE CONNECTION is completed.
- After making connections between both power supply cord (A) and indoor/outdoor unit connecting wire (B), be sure to fix both cable and wire with cable clamps.



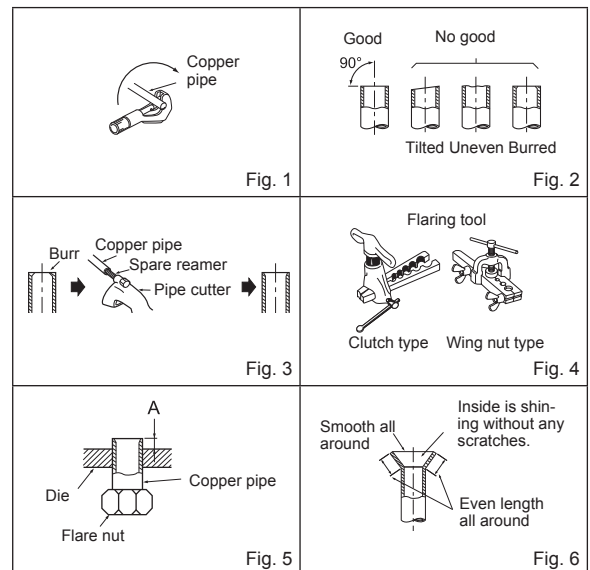
- Be sure to attach each screw to its correspondent terminal when securing the cord and/or the wire to the terminal block.
- Make earth wire a little longer than others. (More than 35 mm)
- For future servicing, give extra length to the connecting wires.

## 3. FLARING WORK AND PIPE CONNECTION

### 3-1. FLARING WORK

- 1) Cut the copper pipe correctly with pipe cutter. (Fig. 1, 2)
- 2) Completely remove all burrs from the cut cross section of pipe. (Fig. 3)
  - Aim the copper pipe downward while removing burrs to prevent burrs from dropping in the pipe.
- 3) Remove flare nuts attached to indoor and outdoor units, then put them on pipe having completed burr removal. (Not possible to put them on after flaring work.)
- 4) Flaring work (Fig. 4, 5). Firmly hold copper pipe in the dimension shown in the table. Select A mm from the table according to the tool selected.
- 5) Check
  - Compare the flared work with Fig. 6.
  - If flare is noted to be defective, cut off the flared section and do flaring work again.

Pipe diameter (mm)	Nut (mm)	A (mm)			Tightening torque	
		Clutch type tool for R410A	Clutch type tool for R22	Wing nut type tool for R22	N·m	kgf·cm
ø6.35 (1/4")	17	0 to 0.5	1.0 to 1.5	1.5 to 2.0	13.7 to 17.7	140 to 180
ø9.52 (3/8")	22			34.3 to 41.2	350 to 420	
ø12.7 (1/2")	26			2.0 to 2.5	49.0 to 56.4	500 to 575
ø15.88 (5/8")	29				73.5 to 78.4	750 to 800



### 3-2. PIPE CONNECTION

- 1) Apply a thin coat of refrigeration oil (G) to the flared ends of the pipes and the pipe connections of the outdoor unit.
- 2) Align the center of the pipe with that of the pipe connections of the outdoor unit, then hand tighten the flare nut 3 to 4 turns.
- 3) Tighten the flare nut with a torque wrench as specified in the table.
  - Over-tightening may cause damage to the flare nut, resulting in refrigerant leakage.
  - Be sure to wrap insulation around the piping. Direct contact with the bare piping may result in burns or frostbite.

**⚠ WARNING**  
When installing the unit, securely connect the refrigerant pipes before starting the compressor.

### 3-3. INSULATION AND TAPING

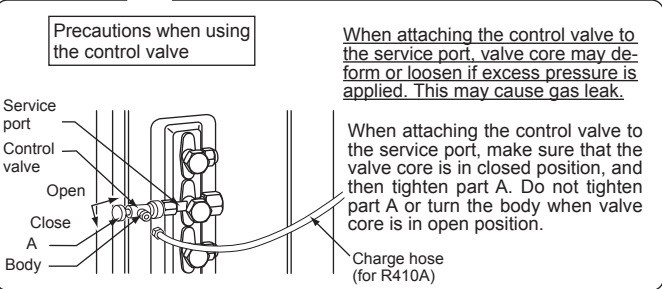
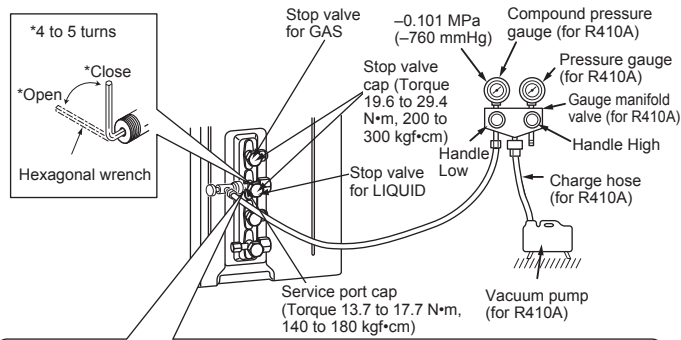
- 1) Cover piping joints with pipe cover.
- 2) For outdoor unit side, surely insulate every piping including valves.
- 3) Using piping tape (E), apply taping starting from the entry of outdoor unit.
  - Stop the end of piping tape (E) with tape (with adhesive agent attached).
  - When piping have to be arranged through above ceiling, closet or where the temperature and humidity are high, wind additional commercially sold insulation to prevent condensation.

**⚠ CAUTION**  
When there are the ports which are not used, make sure their nuts are tightened securely.

## 4. PURGING PROCEDURES, LEAK TEST, AND TEST RUN

### 4-1. PURGING PROCEDURES AND LEAK TEST

- 1) Remove service port cap of stop valve on the side of the outdoor unit gas pipe. (The stop valves are fully closed and covered in caps in their initial state.)
- 2) Connect gauge manifold valve and vacuum pump to service port of stop valve on the gas pipe side of the outdoor unit.
- 3) Run the vacuum pump. (Vacuumize for more than 15 minutes.)
- 4) Check the vacuum with gauge manifold valve, then close gauge manifold valve, and stop the vacuum pump.
- 5) Leave as it is for one or two minutes. Make sure the pointer of gauge manifold valve remains in the same position. Confirm that pressure gauge shows -0.101 MPa [Gauge] (-760 mmHg).
- 6) Remove gauge manifold valve quickly from service port of stop valve.
- 7) Fully open all stop valves on the gas pipe and the liquid pipe. Operating without fully opening lowers the performance and this causes trouble.
- 8) Refer to 1-2., and charge the prescribed amount of refrigerant if needed. Be sure to charge slowly with liquid refrigerant. Otherwise, composition of the refrigerant in the system may be changed and affect performance of the air conditioner.
- 9) Tighten cap of service port to obtain the initial status.
- 10) Leak test



### 4-2. GAS CHARGE

Perform gas charge to unit.

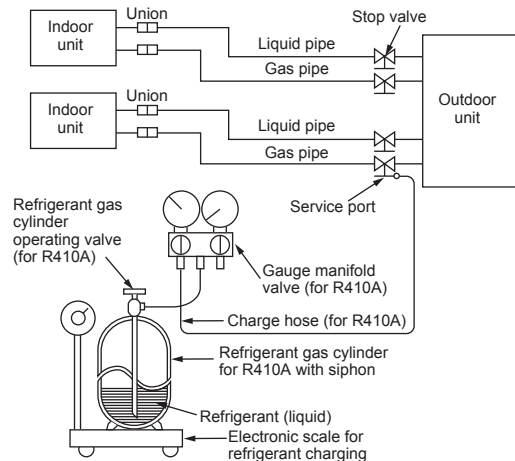
- 1) Connect gas cylinder to the service port of stop valve.
- 2) Perform air purge of the pipe (or hose) coming from refrigerant gas cylinder.
- 3) Replenish specified amount of the refrigerant, while operating the air conditioner for cooling.

**Note:**

In case of adding refrigerant, comply with the quantity specified for the refrigerating cycle.

**CAUTION:**

When charging the refrigerant system with additional refrigerant, be sure to use liquid refrigerant. Adding gas refrigerant may change the composition of the refrigerant in the system and affect normal operation of the air conditioner. Also, charge the liquid refrigerant slowly, otherwise the compressor will be locked. To maintain the high pressure of the gas cylinder, warm the gas cylinder with warm water (under 40°C) during cold season. But never use naked fire or steam.



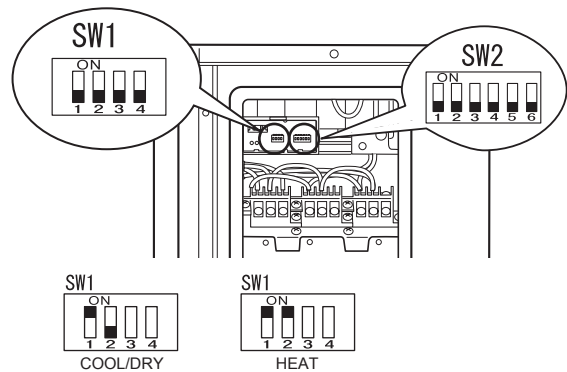


### 4-3. LOCKING THE OPERATION MODE OF THE AIR CONDITIONER (COOL, DRY, HEAT)

- Description of the function:  
With this function, once the operation mode is locked to either COOL/DRY mode or HEAT mode, the air conditioner operates in that mode only.
- \* Changing the setting is required to activate this function. Please explain about this function to your customers and ask them whether they want to use it.

#### [How to lock the operation mode]

- 1) Be sure to turn off the main power for the air conditioner before making the setting.
- 2) Set the "1" of SW1 on the outdoor display board to ON to enable this function.
- 3) To lock the operation mode in COOL/DRY mode, set the "2" of SW1 on the outdoor display board to OFF. To lock the operation in HEAT mode, set the same switch to ON.
- 4) Turn on the main power for the air conditioner.

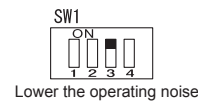


### 4-4. LOWERING THE OPERATION NOISE OF THE OUTDOOR UNIT

- Description of the function:  
With this function, the operating noise of the outdoor unit can be lowered by reducing the operation load, for example, during nighttime in COOL mode. However, please note that the cooling and heating capacity may lower if this function is activated.
- \* Changing the setting is required to activate this function. Please explain about this function to your customers and ask them whether they want to use it.

#### [How to lower the operating noise]

- 1) Be sure to turn off the main power for the air conditioner before making the setting.
- 2) Set the "3" of SW1 on the outdoor display board to ON to enable this function.
- 3) Turn on the main power for the air conditioner.



### 4-5. TEST RUN

- Test runs of the indoor units should be performed individually. See the installation manual coming with the indoor unit, and make sure all the units operate properly.
- If the test run with all the units is performed at once, possible erroneous connections of the refrigerant pipes and the indoor/outdoor unit connecting wires cannot be detected. Thus, be sure to perform the test run one by one.

Make sure that the following is done.

- Power is supplied to the unit.
- Stop valves are open.

#### About the restart protective mechanism

Once the compressor stops, the restart preventive device operates so the compressor will not operate for 3 minutes to protect the air conditioner.

### 4-6. EXPLANATION TO THE USER

- Using the OPERATING INSTRUCTIONS, explain to the user how to use the air conditioner (how to use the remote controller, how to remove the air filters, how to remove or put the remote controller in the remote controller holder, how to clean, precautions for operation, etc.).
- Recommend the user to read the OPERATING INSTRUCTIONS carefully.

## 5. RELOCATION AND MAINTENANCE

### 5-1. PUMPING DOWN

When relocating or disposing of the air conditioner, pump down the system following the procedure below so that no refrigerant is released into the atmosphere.

- 1) Connect the gauge manifold valve to the service port of the stop valve on the gas pipe side of the outdoor unit.
- 2) Fully close the stop valve on the liquid pipe side of the outdoor unit.
- 3) Close the stop valve on the gas pipe side of the outdoor unit almost completely so that it can be easily closed fully when the pressure gauge shows 0 MPa [Gauge] (0 kgf/cm<sup>2</sup>).
- 4) Start the emergency COOL operation on all the indoor units.  
To start the emergency operation in COOL mode, disconnect the power supply plug and/or turn off the breaker. After 15 seconds, connect the power supply plug and/or turn on the breaker, and then press the E.O. SW once. (The emergency COOL operation can be performed continuously for up to 30 minutes.)
- 5) Fully close the stop valve on the gas pipe side of the outdoor unit when the pressure gauge shows 0.05 to 0 MPa [Gauge] (approx. 0.5 to 0 kgf/cm<sup>2</sup>).
- 6) Stop the emergency COOL operation.  
Press the E.O. SW several times until all LED lamps turn off. Refer to operating instructions for details.

#### **⚠ WARNING**

**When pumping down the refrigerant, stop the compressor before disconnecting the refrigerant pipes. The compressor may burst if air etc. get into it.**

**СОДЕРЖАНИЕ**

1. ПРЕЖДЕ ЧЕМ ПРОИЗВОДИТЬ УСТАНОВКУ ..... 1  
 2. УСТАНОВКА НАРУЖНОГО ПРИБОРА ..... 3  
 3. РАБОТЫ ПО ЗАДЕЛКЕ ТРУБ И СОЕДИНЕНИЕ ТРУБ ..... 3  
 4. ПРОЦЕДУРЫ ПРОДУВКИ, ПРОВЕРКА НА ОТСУТСТВИЕ УТЕЧЕК И ТЕСТОВЫЙ ПРОГОН ... 4  
 5. ПЕРЕМЕЩЕНИЕ И ОБСЛУЖИВАНИЕ ..... 5

**Инструменты, необходимые для установки**

Крестообразная отвертка	Конусный инструмент для R410A
Уровень	Коллектор с измерителем для R410A
Линейка	Вакуумный насос для R410A
Универсальный нож или ножницы	Заправочный шланг для R410A
Тарированный ключ	Труборез с разверткой
Гаечный ключ	
Шестигранный гаечный ключ 4 мм	

**1. ПРЕЖДЕ ЧЕМ ПРОИЗВОДИТЬ УСТАНОВКУ**

**1-1. В ЦЕЛЯХ ОБЕСПЕЧЕНИЯ БЕЗОПАСНОСТИ ВСЕГДА СОБЛЮДАЙТЕ СЛЕДУЮЩИЕ ПОЛОЖЕНИЯ**

- Перед установкой кондиционера обязательно прочитайте раздел "В ЦЕЛЯХ ОБЕСПЕЧЕНИЯ БЕЗОПАСНОСТИ ВСЕГДА СОБЛЮДАЙТЕ СЛЕДУЮЩИЕ ПОЛОЖЕНИЯ".
- Обязательно соблюдайте меры предосторожности, изложенные ниже - в них содержатся важные с точки зрения безопасности положения.
- Прочитав данное руководство, храните его вместе с ИНСТРУКЦИЕЙ ПО ЭКСПЛУАТАЦИИ на случай возникновения вопросов.

**⚠ ПРЕДУПРЕЖДЕНИЕ** (Невыполнение данного требования может привести к смертельному исходу, тяжелой травме и т.д.)

- **Самостоятельная установка данного прибора (пользователем) запрещается.**  
 Не завершение установки может вызвать пожар, поражение электрическим током, травмы вследствие падения прибора или утечку воды. Обратитесь к дилеру, у которого вы приобрели данный прибор или к квалифицированному специалисту по установке.
- **Выполняйте установку с соблюдением правил безопасности, используя "Руководство по установке" в качестве справочника.**  
 Не завершение установки может вызвать пожар, поражение электрическим током, травмы вследствие падения прибора или утечку воды.
- **При установке прибора используйте соответствующие защитное оборудование и инструменты в целях безопасности.**  
 Невыполнение этого требования может привести к травме.
- **Надежно устанавливайте прибор на основе, которая может выдержать его вес.**  
 Если основа не выдержит вес прибора, он может упасть и нанести увечья.
- **Электротехнические работы должны производиться квалифицированным, опытным электриком согласно инструкциям по монтажу.**  
 Следует обязательно использовать отдельный контур. Не подключайте другие электрические приборы к этому же контуру.  
 При недостаточной мощности контура питания или в случае незавершенных электромонтажных работ возможен пожар или поражение электрическим током.
- **Не повредите провода при чрезмерном их сжатии компонентами или винтами.**  
 Поврежденная проводка может привести к возгоранию или поражению электрическим током.
- **Обязательно отсоедините прибор от источника электропитания при проведении настройки печатной платы электронного управления внутреннего прибора или при работе с электропроводкой.**  
 Невыполнение данного требования может привести к поражению электрическим током.
- **Используйте провода указанных параметров для надежного соединения внутреннего и наружного приборов.** Надежно закрепите провода в секторах соединений клеммной колодки, чтобы натяжение провода не передавалось в секторы соединений. Запрещается удлинять провода или использовать промежуточное соединение.  
 Не завершение подключения и изоляции может привести к возгоранию.
- **Не устанавливайте прибор в помещении, где возможна утечка легкового газа.**  
 При утечке и скоплении газа в непосредственной близости от прибора, возможен взрыв.
- **Не используйте промежуточные соединения в шнуре питания или удлинитель шнура питания, и не подсоединяйте несколько приборов к одной розетке переменного тока.**  
 Это может привести к пожару или поражению электрическим током вследствие дефекта контакта, дефекта изоляции, превышения допустимого тока в сети и т.д.
- **При выполнении работ по установке обязательно используйте детали, входящие в комплект поставки, или детали, характеристики которых приводятся в данном руководстве.**  
 Использование дефектных деталей может привести к травме или утечке воды вследствие пожара, поражения электрическим током, падения прибора и т.д.
- **При подключении шнура питания к розетке, убедитесь, что на нем и на розетке отсутствует пыль, мусор и незакрепленные детали. Убедитесь, что вилка вставлена в розетку до упора.**
- **В случае, если на вилке или розетке присутствует пыль, мусор или незакрепленные части, это может привести к возгоранию или поражению электрическим током.** При обнаружении незакрепленных частей на вилке, замените ее.
- **Надежно прикрепите электрокрышку к внутреннему прибору, а сервисную панель – к наружному прибору.**  
 Если электрокрышка и сервисная панель ненадежно прикреплены соответственно к внутреннему и наружному приборам, это может привести к пожару или поражению электрическим током вследствие попадания пыли, воды и т.д. внутрь приборов.
- **При установке, перемещении или техобслуживании прибора следите за тем, чтобы в охлаждающий контур не попало другое вещество, за исключением указанного хладагента (R410A).**  
 Присутствие какого-либо инородного вещества, например, воздуха, может привести к аномальному повышению давления, следствием которого может стать взрыв или травма. Использование любого иного хладагента, кроме указанного для системы, приведет к механическому отказу, неисправности системы или поломке прибора. В худшем случае это может привести к серьезному препятствию для обеспечения безопасности изделия.
- **Запрещается выпускать хладагент в атмосферу. В случае утечки хладагента при установке, проветрите помещение.**  
 Если хладагент вступит в контакт с пламенем, возможно генерирование вредного газа. Утечка хладагента может стать причиной удушья. Обеспечьте вентиляцию в соответствии с EN378-1.
- **Убедитесь в отсутствии утечки газа хладагента после завершения установки.**  
 В случае утечки газа хладагента внутри помещения и его последующего контакта с огнем тепловентилятора, отопителя помещений, печи и т.д. происходит образование вредных для здоровья веществ.
- **При установке используйте подходящие инструменты и соединительные материалы.**  
 Давление R410A в 1,6 раза выше, чем R22. Использование не подходящих материалов и не завершение установки может привести к разрыву труб и нанесению увечий.
- **При сливании хладагента, останавливайте компрессор до отключения труб с хладагентом.**  
 Если трубы с хладагентом отсоединить при работающем компрессоре и открытом стопорном клапане, возможно засасывание воздуха и чрезмерное повышение давления в контуре охлаждения. Это может привести к разрыву труб или нанесению увечий.
- **При установке прибора, надежно подсоедините трубы с хладагентом до запуска компрессора.**  
 Если компрессор запускается до подсоединения труб с хладагентом и при открытом стопорном клапане, возможно засасывание воздуха и чрезмерное повышение давления в контуре охлаждения. Это может привести к разрыву труб или нанесению увечий.
- **Затягивайте конусную гайку с помощью тарированного ключа с крутящим моментом, указанным в данном руководстве.**  
 Слишком сильная затяжка конусной гайки может привести к поломке гайки через некоторое время, результатом чего станет утечка хладагента.
- **Прибор необходимо устанавливать в соответствии с национальными нормами в сфере электропроводки.**
- **Заземлите прибор надлежащим образом.**  
 Запрещается подсоединять заземление к газовым и водопроводным трубам, молниеотводу или проводу заземления телефонной сети. Дефект заземления может привести к поражению электрическим током.

**⚠ ОСТОРОЖНО** (Неправильное выполнение данной инструкции в определенных условиях может привести к тяжелой травме.)

- **Устанавливайте прерыватель утечки тока на землю, в зависимости от места установки.**  
 Если прерыватель утечки тока на землю не установлен, возможно поражение электрическим током.
- **Надежно выполняйте соединения дренажных труб/трубных соединений в соответствии с требованиями "Руководства по установке".**  
 В случае дефекта соединений дренажных труб/трубных соединений возможно капание воды из прибора и повреждение имущества в помещении вследствие намокания.
- **Не дотрагивайтесь до воздухозаборника и алюминиевых ребер внешнего устройства.**  
 Это может нанести увечья.
- **Не устанавливайте внешний прибор в местах обитания мелких животных.**  
 Мелкие животные могут проникнуть внутрь прибора и дотронуться до внутренних электрических частей, приведя к неисправности, выделению дыма или возгоранию. Кроме того, порекомендуйте пользователем подерживать территорию вокруг прибора в чистоте.

**1-2. ХАРАКТЕРИСТИКИ**

Модель	Питание *1			Характеристики проводов *2		Пропорции длины и высоты тру *3, *4, *5, *6, *7, *8			
	Номинальное напряжение	Частота	Емкость прерывателя	Питание	Внешняя/внутренняя коммутация	Макс. длина трубы для внутреннего прибора / для мультисистемной модели	Макс. разность высот *9	Макс. количество изгибов для внутреннего прибора / для мультисистемной модели	Настройка хладагента A *10
MXZ-2D33VA	230 В	50 Гц	10 А	3-жильный 1,0 мм <sup>2</sup>	4-жильный 1,0/1,5 мм <sup>2</sup>	15 м / 20 м	10 м	15 / 20	20 г/м
MXZ-2D40VA MXZ-2D53VA(H)			15 А	3-жильный 2,0 мм <sup>2</sup>		20 м / 30 м		15 м	

\*1 Подсоедините к выключателю питания с зазором не менее 3 мм в разомкнутом положении для прерывания фазы источника питания. (В разомкнутом положении выключатель питания должен отсоединять все фазы.)  
 \*2 Используйте провода, соответствующие конструкции 60245 IEC 57. Используйте соединительный провод для помещений/улицы, соответствующий техническим характеристикам проводов, указанным в руководстве по установке внутреннего блока.  
 \*3 Никогда не используйте трубы, с толщиной, меньше указанной. Сопротивление давления будет недостаточным.  
 \*4 Используйте медную трубу или бесшовную трубу из сплава меди.  
 \*5 Будьте осторожны при сгибании трубы, во избежание ее повреждения.  
 \*6 Радиус изгиба трубы с хладагентом должен быть не менее 100 мм.  
 \*7 Изоляционный материал: Жаростойкий пенопласт с зернистостью 0,045  
 \*8 Используйте изоляцию указанной толщины. Чрезмерная толщина изоляции может привести к неправильной установке внутреннего прибора, а недостаточная толщина может вызвать капание влаги.  
 \*9 Если наружный прибор устанавливается выше внутреннего прибора, макс. разница высот сокращается до 10 м.  
 \*10 Если длина трубы превышает 20 м, необходима заправка дополнительным хладагентом (R410A). (Если длина труб не превышает 20 м, заправка дополнительного хладагента не требуется.)  
 Дополнительный хладагент = A × (длина трубы (м) – 20)

### 1-3. ВЫБОР ДОПОЛНИТЕЛЬНЫХ СТЫКОВ ДЛЯ РАЗНЫХ ДИАМЕТРОВ

Если диаметр соединительных труб не совпадает с размером отверстия наружного прибора, используйте дополнительные стыки для разных диаметров согласно следующей таблице.

(Единица измерения: мм (дюйм))

Размер отверстия наружного прибора		Дополнительные стыки для разных диаметров (размер отверстия наружного прибора → диаметр соединительной трубы)
MXZ-2D	Жидкость / Газ	6,35 (1/4) → 9,52 (3/8) : PAC-493PI 9,52 (3/8) → 12,7 (1/2) : MAC-A454JP 9,52 (3/8) → 15,88 (5/8) : PAC-SG76RJ 12,7 (1/2) → 9,52 (3/8) : MAC-A455JP 12,7 (1/2) → 15,88 (5/8) : MAC-A456JP
A, B ПРИБОР	6,35 (1/4) / 9,52 (3/8)	Информацию о диаметре соединительной трубы внутреннего прибора можно найти в руководстве по установке для монтажа внутреннего прибора.

### 1-4. ВЫБОР МЕСТА УСТАНОВКИ

- Где он не подвержен воздействию сильных ветров.
- Где нет преград на пути воздушного потока и нет пыли.
- В месте, которое подвергается наименьшему воздействию дождя и прямого солнечного света.
- Где работа прибора или горячий воздух не мешают соседям.
- Где есть прочная стена или опорная конструкция – это предотвратит повышение уровня рабочего шума или вибрации.
- Где нет риска утечки горючих газов.
- При установке прибора убедитесь в надежности крепления ножек прибора.
- Где прибор будет расположен на расстоянии не менее 3 м от антенны телевизора или радиоприемника. В регионах со слабыми радиоволнами при работе кондиционера возникают помехи при приеме теле- и радиовещания. Для нормального приема теле- и радиовещания может потребоваться усилитель.
- Устанавливайте прибор строго горизонтально.
- Производите установку в местах, где отсутствует воздействие снегопада, ветра и снега. В районах с сильным снегопадом установите навес, опору и/или несколько отражательных перегородок.

#### Примечание:

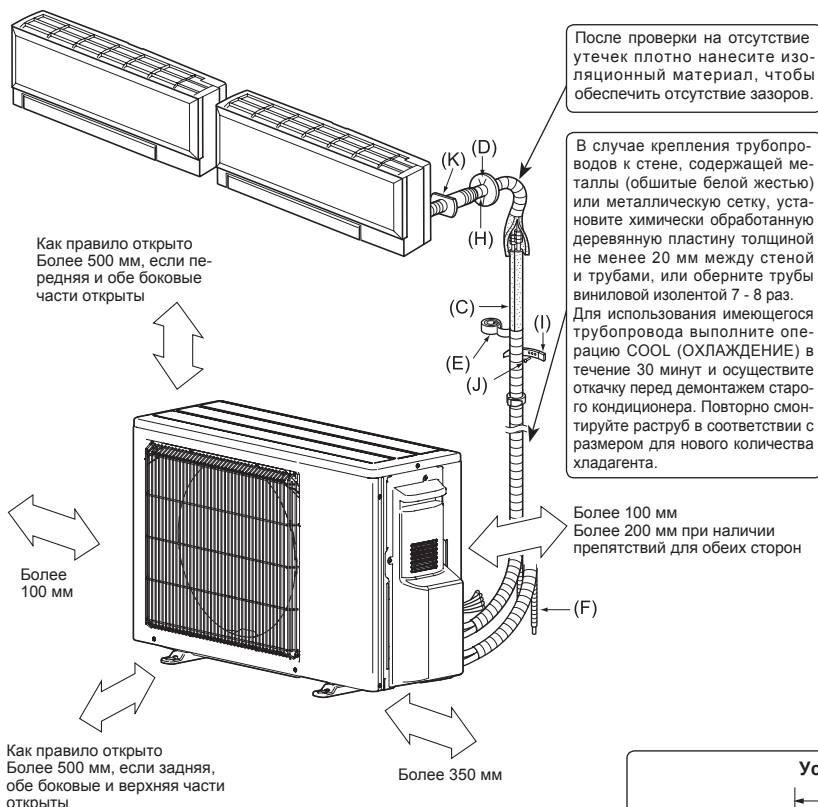
Рекомендуется сделать трубную петлю рядом с наружным прибором для уменьшения передаваемой отсюда вибрации.

#### Примечание:

При эксплуатации кондиционера при низкой температуре наружного воздуха обязательно следуйте приведенным ниже инструкциям.

- Запрещается устанавливать наружный прибор в местах, где воздухозаборное/воздуховыпускное отверстие могут находиться под непосредственным воздействием ветра.
  - Во избежание воздействия ветра наружный прибор необходимо устанавливать так, чтобы его воздухозаборное отверстие было обращено к стене.
  - Во избежание воздействия ветра со стороны воздуховыпускного отверстия наружного прибора рекомендуется установить отражательную перегородку.
- При выборе места установки избегайте следующих мест, в которых возможно появление неисправностей в работе кондиционера.
- В местах, где возможна утечка воспламеняющегося газа.
  - В местах, где много машинного масла.
  - В местах возможного разбрызгивания масла или там, где возможно наличие масляного дыма (например, местах приготовления пищи и фабриках, где возможно повреждение или деформация пластика).
  - В местах, где много соли, например, на морском побережье.
  - В местах образования сероводородного газа, например, рядом с горячим природным источником.
  - В местах с наличием высокочастотного или беспроводного оборудования.
  - Где существуют значительные выбросы летучих органических соединений, включая соединения фталата, формальдегид и т. д., которые могут вызвать химическое разложение.

### 1-5. МОНТАЖНАЯ СХЕМА



#### ДОПОЛНИТЕЛЬНЫЕ ПРИНАДЛЕЖНОСТИ

Перед установкой проверьте наличие следующих деталей.

(1) Дренажный разъем	1
----------------------	---

#### ДЕТАЛИ, КОТОРЫЕ НЕОБХОДИМО ПРИОБРЕСТИ НА МЕСТЕ

(A) Шнур электропитания*	1
(B) Провод соединения внутреннего/наружного приборов*	1
(C) Удлинительная труба	1
(D) Крышка для стенного отверстия	1
(E) Лента для труб	1
(F) Удлинительный дренажный шланг (или мягкий шланг из ПВХ с внутренним диаметром 15 мм или твердая труба из ПВХ VP16)	1
(G) Охлаждающее масло	Небольшое количество
(H) Замазка	1
(I) Лента для фиксирования труб	2 - 7
(J) Шуруп крепления для (I)	2 - 7
(K) Втулка для стенного отверстия	1
(L) Мягкий шланг из ПВХ с внутренним диаметром 15 мм или твердая труба из ПВХ VP16 для дренажного разъема (1)	1

#### \* Примечание:

Разместите провод соединения внутреннего/наружного приборов (B) и шнур электропитания (A) на расстоянии как минимум 1 м от провода телевизионной антенны.

“Количество” (B) для (K) в вышеуказанной таблице является количеством, которое необходимо использовать для каждого внутреннего прибора.



Установка должна выполняться лицензированным подрядчиком в соответствии с требованиями местных нормативных актов.



## 1-6. ТРУБОПРОВОДЫ ДРЕНАЖНОЙ СИСТЕМЫ НАРУЖНОГО БЛОКА

Выполняйте работы на дренажных трубах только при дренаже с одного места.

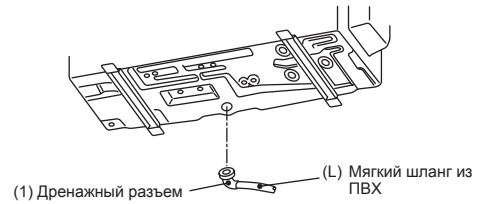
- 1) Выполните прокладку трубопроводов дренажной системы перед соединением трубопроводов внутреннего и наружного приборов.
- 2) Подключите мягкий шланг из ПВХ (L) диаметром 15 мм как показано на рисунке.
- 3) Обязательно проложите трубопроводы дренажной системы с наклоном вниз по направлению слива.

### Примечание:

Устанавливайте прибор строго горизонтально.

Не используйте дренажный разъем (1) в регионах с холодным климатом. Дренаж может замерзнуть, что приведет к останову вентилятора.

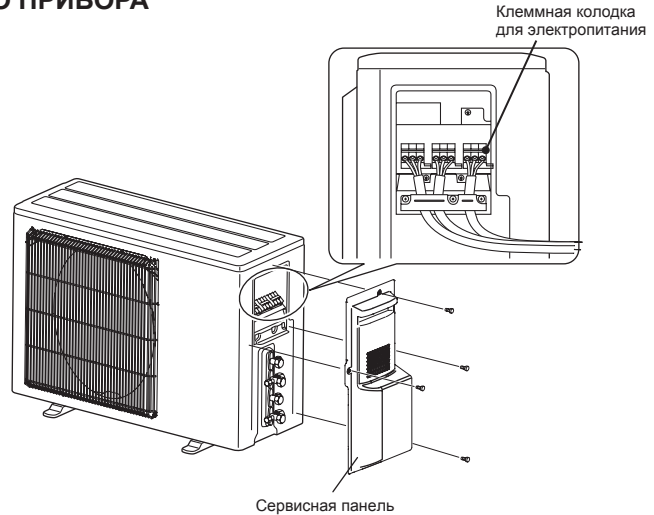
В режиме обогрева наружный блок вырабатывает конденсат. Выберите такое место установки, чтобы на наружный блок и/или основание не попадала дренажная вода и так, чтобы избежать повреждений, которые может вызвать замерзшая дренажная вода.



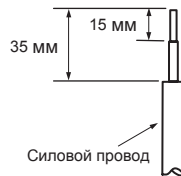
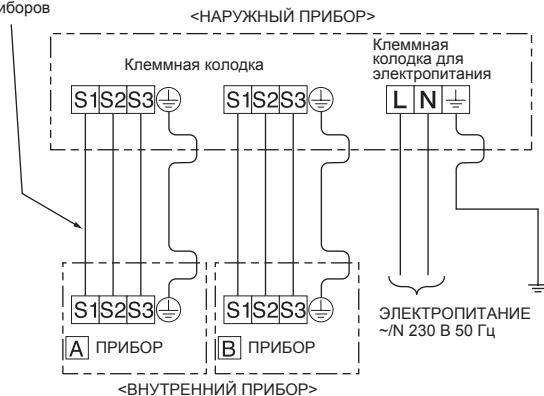
## 2. УСТАНОВКА НАРУЖНОГО ПРИБОРА

### 2-1. СОЕДИНИТЕЛЬНЫЕ ПРОВОДА НАРУЖНОГО ПРИБОРА

- 1) Снимите сервисную панель.
- 2) Ослабьте винт клеммной колодки и подсоедините соответствующим образом провод соединения внутреннего/наружного приборов (В) от внутреннего прибора к клеммной колодке. Следите за правильностью подсоединения проводов. Плотно прикрепите провод к клеммной колодке, следя за тем, чтобы сердечник провода не был виден, и чтобы к соединительной секции клеммной колодки не прилагалось внешнего усилия.
- 3) Плотно затягивайте винты клеммной колодки для предотвращения их ослабления. После затяжки винтов слегка потяните за провода, чтобы убедиться в их неподвижности.
- 4) Выполните 2) и 3) для каждого внутреннего прибора.
- 5) Подсоедините шнур электропитания (А).
- 6) Закрепите провод соединения внутреннего/наружного приборов (В) и шнур электропитания (А) с помощью проводных зажимов.
- 7) Надежно закройте сервисную панель. Убедитесь, что этап 3-2. СОЕДИНЕНИЕ ТРУБ завершен.
  - После подключения шнура электропитания (А) и провода соединения внутреннего/наружного приборов (В) убедитесь, что и провод, и шнур закреплены с помощью проводных зажимов.



Провод соединения внутреннего/наружного приборов



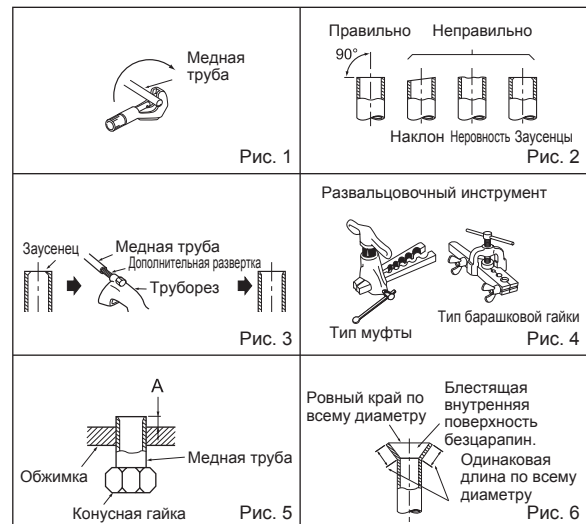
- Обязательно присоедините каждый винт к соответствующей клемме при фиксации шнура и/или провода к клеммному блоку.
- Провод заземления должен быть немного длиннее других. (Длиннее примерно на 35 мм)
- Для облегчения проведения техобслуживания в будущем оставьте припуск длины соединительных проводов.

## 3. РАБОТЫ ПО ЗАДЕЛКЕ ТРУБ И СОЕДИНЕНИЕ ТРУБ

### 3-1. РАЗВАЛЬЦОВКА

- 1) Правильно режьте медную трубу с помощью трубореза. (Рис. 1, 2)
- 2) Полностью удалите заусенцы с разрезанного поперечного сечения трубы. (Рис. 3)
  - При удалении заусенцев наклоните медную трубку вниз, чтобы удаленные заусенцы не попали внутрь трубки.
- 3) Снимите конусные гайки, прикрепленные к внутреннему и наружному приборам, затем насадите их на трубу после полного удаления заусенцев. (После развальцовки насадка гаек невозможна.)
- 4) Развальцовка (Рис. 4, 5). Полностью соблюдайте размеры медной трубы, указанные в таблице. Выберите А мм из таблицы в соответствии с используемым инструментом.
- 5) Проверьте
  - Сравните развальцовку с Рис. 6.
  - При обнаружении дефекта на развальцовке обрежьте развальцованный участок и выполните развальцовку снова.

Диаметр трубы (мм)	Гайка (мм)	А (мм)			Крутящий момент затяжки	
		Инструмент зажимного типа для R410A	Инструмент зажимного типа для R22	Инструмент барашковой гайки для R22	Н•м	кгс•см
ø6,35 (1/4")	17	0 - 0,5	1,0 - 1,5	1,5 - 2,0	13,7 - 17,7	140 - 180
ø9,52 (3/8")	22			34,3 - 41,2	350 - 420	
ø12,7 (1/2")	26			49,0 - 56,4	500 - 575	
ø15,88 (5/8")	29			73,5 - 78,4	750 - 800	



### 3-2. СОЕДИНЕНИЕ ТРУБ

- 1) Нанесите тонкий слой холодильного масла (G) на раструбные концы руб и трубные соединения наружного блока.
- 2) Выровняйте центр трубы, подсоединяемой к трубному соединению наружного блока, а затем затяните от руки раструбную гайку на 3-4 оборота.
- 3) Затяните раструбную гайку динамометрическим ключом, соблюдая крутящий момент, указанный в таблице.
  - При превышении крутящего момента раструбная гайка может быть повреждена, что приведет к утечке хладагента.
  - Обязательно оберните трубы изоляционной обмоткой. Непосредственный контакт с неизолированным трубопроводом может привести к ожогам или обморозению.

#### ⚠ ПРЕДУПРЕЖДЕНИЕ

При установке прибора, надежно подсоедините трубы с хладагентом до запуска компрессора.

#### ⚠ ОСТОРОЖНО

Если некоторые порты не используются, убедитесь, что их гайки надежно затянуты.

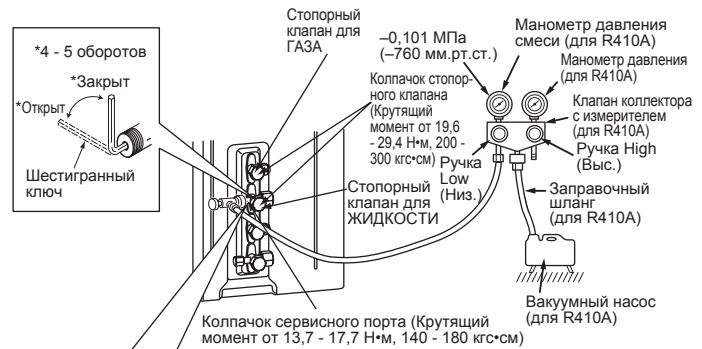
### 3-3. ИЗОЛЯЦИЯ И ОБМОТКА ЛЕНТОЙ

- 1) Оберните трубные стыки изоляцией для труб.
- 2) Со стороны наружного прибора обязательно оберните все трубы, включая клапаны.
- 3) Используя ленту для труб (E), оберните трубы, начиная со входа наружного прибора.
  - Зафиксируйте конец ленты для труб (E) лентой (с нанесенным на нее клеящим составом).
  - При прокладке труб над потолком, в стеновых шкафах или в местах с высокой температурой или влажностью, оберните их дополнительной изоляцией, имеющейся в продаже, для предотвращения образования конденсации.

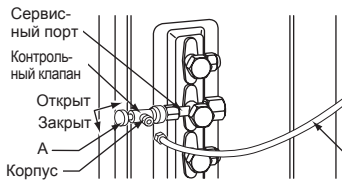
## 4. ПРОЦЕДУРЫ ПРОДУВКИ, ПРОВЕРКА НА ОТСУТСТВИЕ УТЕЧЕК И ТЕСТОВЫЙ ПРОГОН

### 4-1. ПРОЦЕДУРЫ ПРОДУВКИ И ПРОВЕРКА НА ОТСУТСТВИЕ УТЕЧЕК

- 1) Снимите колпачок сервисного порта на стопорном клапане со стороны трубы для газа наружного прибора. (В изначальном виде запорные клапаны полностью закрыты и прикрыты колпачками.)
- 2) Подключите клапан коллектора с измерителем и вакуумный насос к сервисному порту стопорного клапана на стороне трубы для газа наружного прибора.
- 3) Включите вакуумный насос. (Продолжайте создавать вакуум в течение не менее 15 минут.)
- 4) Проверьте вакуум с помощью клапана коллектора с измерителем, затем закройте клапан коллектора с измерителем и остановите вакуумный насос.
- 5) Оставьте систему в таком состоянии на одну-две минуты. Убедитесь, что стрелка на клапане коллектора с измерителем остается в неподвижном состоянии. Убедитесь, что манометр показывает разрежение  $-0,101$  МПа [маном.] ( $-760$  мм.рт.ст.).
- 6) Быстро снимите клапан коллектора с измерителем с сервисного порта стопорного клапана.
- 7) Полностью откройте все запорные клапаны трубы для газа и трубы для жидкости. При эксплуатации прибора с не полностью открытыми клапанами снижается его эффективность, что приводит к неисправностям.
- 8) См. п. 1-2. и заправьте предписанное количество хладагента, если необходимо. При работе с жидким хладагентом обязательно осуществляйте заправку медленно. В противном случае состав хладагента в системе может измениться, что отрицательно повлияет на производительность кондиционера.
- 9) Затяните колпачок сервисного порта для возврата к исходному состоянию.
- 10) Проверка на отсутствие утечек



#### Меры предосторожности при использовании контрольного клапана



Если при креплении контрольного клапана к сервисному порту прилагать чрезмерное давление, сердечник клапана может деформироваться или открыться. Это может привести к утечке газа.

При креплении контрольного клапана к сервисному порту убедитесь, что сердечник клапана находится в закрытом положении, затем затяните часть А. Не затягивайте часть А или не поворачивайте корпус, если сердечник клапана находится в открытом положении.

### 4-2. ЗАПРАВКА ГАЗА

Заправьте газ в блок.

- 1) Подсоедините газовый баллон к сервисному порту стопорного крана.
- 2) Выполните продувку воздуха из трубы (или шланга), исходящего от газового баллона с хладагентом.
- 3) Добавьте указанное количество хладагента, при этом кондиционер должен работать в режиме охлаждения.

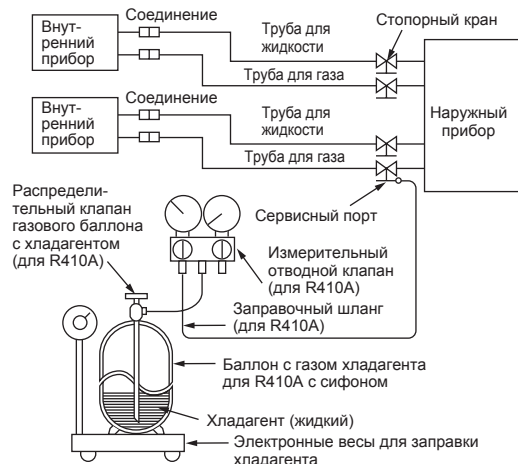
#### Примечание:

При добавлении хладагента, соблюдайте требования к его количеству, указанные для цикла хладагента.

#### ОСТОРОЖНО:

При наполнении системы охлаждения дополнительным охладителем удостоверьтесь, что используется жидкий охладитель. Добавление воздушного охладителя может изменить состав охладителя в системе и повлиять на нормальную работу воздушного кондиционера. Кроме того, рекомендуется заправлять систему жидким хладагентом медленно, во избежание застопоривания компрессора.

Для поддержки высокого давления в газовом баллоне в холодное время года нагрейте газовый баллон в теплой воде (с температурой ниже  $40^{\circ}\text{C}$ ). Запрещается использовать открытый огонь или пар.

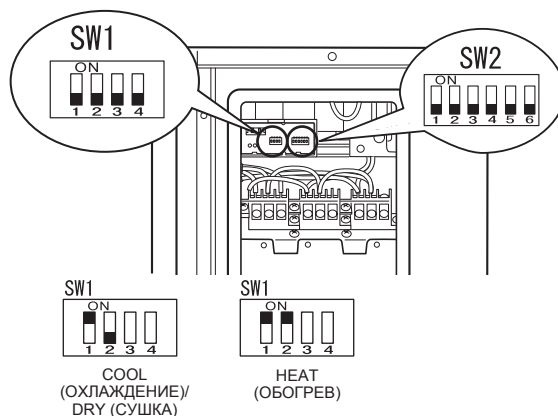


#### 4-3. БЛОКИРОВКА РЕЖИМА РАБОТЫ КОНДИЦИОНЕРА (ОХЛАЖДЕНИЕ, СУШКА, ОБОГРЕВ)

- Описание функции:  
С этой функцией, если рабочий режим заблокирован либо в режиме COOL/DRY (ОХЛАЖДЕНИЕ/СУШКА), либо в режиме HEAT (ОБОГРЕВ), кондиционер работает только в этом режиме.
- \* Для активации данной функции требуется изменение настроек. Объясните назначение данной функции клиенту, и спросите, хочет ли он использовать ее.

##### [Блокировка режима работы]

- 1) Перед выполнением настройки обязательно отключите электропитание кондиционера.
- 2) Установите переключатель "1" в SW1 на наружной панели управления в положение ON (ВКЛ.), чтобы включить эту функцию.
- 3) Установите переключатель "2" в SW1 на наружной панели управления в положение OFF (ВЫКЛ.), чтобы заблокировать режим работы COOL/DRY (ОХЛАЖДЕНИЕ/СУШКА). Чтобы заблокировать режим работы HEAT (ОБОГРЕВ), установите тот же переключатель в позиции ON (ВКЛ.).
- 4) Включите электропитание кондиционера.



#### 4-4. СНИЖЕНИЕ РАБОЧЕГО ШУМА НАРУЖНОГО ПРИБОРА

- Описание функции:  
С данной функцией рабочий шум наружного прибора может быть снижен путем уменьшения рабочей нагрузки, например, в ночное время в режиме COOL (ОХЛАЖДЕНИЕ). Тем не менее, обратите внимание, что при активации данной функции может снизиться охлаждающая и нагревающая мощность.
- \* Для активации данной функции требуется изменение настроек. Объясните назначение данной функции клиенту, и спросите, хочет ли он использовать ее.

##### [Снижение рабочего шума]

- 1) Перед выполнением настройки обязательно отключите электропитание кондиционера.
- 2) Установите переключатель "3" в SW1 на наружном приборном щитке в положение ON (ВКЛ.), чтобы включить эту функцию.
- 3) Включите электропитание кондиционера.



Снижение рабочего шума

#### 4-5. ПРОБНЫЙ ПРОГОН

- Тестовый прогон внутренних приборов должен проводиться отдельно. Смотрите руководство по установке, прилагаемое к внутреннему прибору, и убедитесь, что все приборы работают должным образом.
- Если тестовый прогон выполняется для всех приборов одновременно, возможные неправильные подключения труб хладагента и соединительных проводов внутреннего/наружного прибора могут не выявиться. Поэтому тестовый прогон следует выполнять поэтапно.

Убедитесь, что выполнено следующее.

- На прибор подается питание.
- Запорные клапаны открыты.

##### О защитном механизме повторного запуска

После остановки компрессора включается защитное устройство повторного запуска, отключающее компрессор на несколько минут для защиты кондиционера.

#### 4-6. ПОЯСНЕНИЕ ДЛЯ ПОЛЬЗОВАТЕЛЯ

- Используя ИНСТРУКЦИИ ПО ЭКСПЛУАТАЦИИ, объясните пользователю, как эксплуатировать кондиционер (как пользоваться пультом дистанционного управления, как снимать воздушные фильтры, как вынимать и вставлять пульт дистанционного управления в держатель пульта дистанционного управления, как осуществлять чистку, меры предосторожности при эксплуатации и т.д.).
- Посоветуйте пользователю внимательно прочитать ИНСТРУКЦИИ ПО ЭКСПЛУАТАЦИИ.

## 5. ПЕРЕМЕЩЕНИЕ И ОБСЛУЖИВАНИЕ

### 5-1. ОТКАЧКА

При установке на новом месте или утилизации кондиционера, выполните откачку системы в соответствии с процедурой ниже, чтобы в атмосферу не попал хладагент.

- 1) Подключите клапан коллектора с измерителем к сервисному порту стопорного клапана на стороне трубы для газа наружного прибора.
- 2) Полностью закройте стопорный клапан на стороне трубы для жидкости наружного прибора.
- 3) Закройте стопорный клапан на стороне трубы для газа наружного прибора почти до конца, чтобы его можно было легко закрыть полностью, когда стрелка манометра будет указывать на значение в 0 МПа [маном.] (0 кгс/см<sup>2</sup>).
- 4) Включите аварийное управление в режиме ОХЛАЖДЕНИЕ (COOL) на всех внутренних приборах.  
Для запуска аварийного управления в режиме ОХЛАЖДЕНИЕ (COOL) выньте вилку питания из розетки и/или выключите автоматический выключатель. Через 15 секунд вставьте вилку шнура питания в розетку и/или включите выключатель, а затем нажмите Е.О. SW один раз. (В режиме ОХЛАЖДЕНИЕ (COOL) кондиционер может работать непрерывно до 30 минут.)
- 5) Полностью закройте стопорный клапан на стороне трубы для газа наружного прибора, когда стрелка на манометре будет находиться в диапазоне 0,05 - 0 МПа [маном.] (ок. 0,5 - 0 кгс/см<sup>2</sup>).
- 6) Остановите аварийное управление в режиме ОХЛАЖДЕНИЕ (COOL).  
Нажмите кнопку Е.О. SW несколько раз, пока все светодиодные лампы не погаснут. Подробнее см. инструкции по эксплуатации.

### ▲ ПРЕДУПРЕЖДЕНИЕ

При сливании хладагента, останавливайте компрессор до отключения труб с хладагентом. Попадание внутрь компрессора воздуха и т.п. может привести к взрыву.







EC DECLARATION OF CONFORMITY  
EG-KONFORMITÄTSEKTLÄRUNG  
DÉCLARATION DE CONFORMITÉ CE  
EG-CONFORMITEITSVERKLARING

DECLARACIÓN DE CONFORMIDAD CE  
DICHIARAZIONE DI CONFORMITÀ CE  
ΔΗΛΩΣΗ ΠΙΣΤΟΤΗΤΑΣ ΕΚ  
DECLARAÇÃO DE CONFORMIDADE CE

EU-OVERENSSTEMMELSESEKTLÆRING  
EG-DEKLARATION OM ÖVERENSSTÄMMELSE  
EC UYGUNLUK BEYANI

ДЕКЛАРАЦИЯ СООТВЕТСТВИЯ НОРМАМ ЕС  
CE-ERKLÆRING OM SAMSVAR  
EY-VAATIMUSTENMUKAISUUSVAKUTUS

**mitsubishi electric consumer products (thailand) co., ltd**  
**AMATA NAKORN INDUSTRIAL ESTATE 700/406 MOO 7, TAMBON DON HUA ROH, AMPHUR MUANG, CHONBURI 20000, THAILAND**

hereby declares under its sole responsibility that the air conditioners and heat pumps described below for use in residential, commercial and light-industrial environments:  
erklärt hiermit auf seine alleinige Verantwortung, dass die Klimaanlage und Wärmepumpen für das häusliche, kommerzielle und leicht-industrielle Umfeld wie unten beschrieben:  
déclare par la présente et sous sa propre responsabilité que les climatiseurs et les pompes à chaleur décrits ci-dessous, destinés à un usage dans des environnements résidentiels, commerciaux et d'industrie légère:  
verklaart hierbij onder eigen verantwoordelijkheid dat de voor residentiële, commerciële en licht-industriële omgevingen bestemde airconditioners en warmtepompen zoals onderstaand beschreven:  
por la presente declara bajo su única responsabilidad que los acondicionadores de aire y bombas de calor descritas a continuación para su uso en entornos residenciales, comerciales y de industria ligera:  
conferma con la presente, sotto la sua esclusiva responsabilità, che i condizionatori d'aria e le pompe di calore descritti di seguito e destinati all'utilizzo in ambienti residenziali, commerciali e semi-industriali:  
με το παρόν πιστοποιεί με αποκλειστική της ευθύνη ότι οι τα κλιματιστικά και οι αντλίες θέρμανσης που περιγράφονται παρακάτω για χρήση σε οικιακά, επαγγελματικά και ελαφρά βιομηχανία περιβάλλοντα:  
através da presente declara sob sua única responsabilidade que os aparelhos de ar condicionado e bombas de calor abaixo descritos para uso residencial, comercial e de indústria ligeira:  
erklærer hermed under eneansvar, at de herunder beskrevne airconditionanlæg og varmepumper til brug i privat boligbyggeri, erhvervsområder og inden for let industri:  
intyggar härmed att luftkonditioneringarna och värmepumparna som beskrivs nedan för användning i bostäder, kommersiella miljöer och låtta industriella miljöer:  
ev, ticaret ve hafif sanayi ortamlarında kullanım amaçlı üretilen ve işitma pompalarıyla ilgili aşağıdaki hususları yalnızca kendi sorumluluğunda beyan eder:  
настоящим заявляет и берет на себя исключительную ответственность за то, что кондиционеры и тепловые насосы, описанные ниже и предназначенные для эксплуатации в жилых помещениях, торговых залах и на предприятиях легкой промышленности:  
erklærer et fullstendig ansvar for undernevnte klima- og varmepumper ved bruk i boliger, samt kommersielle og lettindustrielle miljøer:  
vakuuttaa täten yksinomisella vastuullaan, että jäljempänä kuvatut asuinrakennuksiin, pienteollisuuskäyttöön ja kaupalliseen käyttöön tarkoitettut ilmastointilaitteet ja lämpöpumput:

**mitsubishi electric, mxz-2d33va, mxz-2d40va, mxz-2d53va, mxz-2d53vah**

Note: Its serial number is on the nameplate of the product.  
Hinweis: Die Seriennummer befindet sich auf dem Kennschild des Produkts.  
Remarque : Le numéro de série de l'appareil se trouve sur la plaque du produit.  
Opmerking: het serienummer staat op het naamplaatje van het product.  
Nota: El número de serie se encuentra en la placa que contiene el nombre del producto.  
Nota: il numero di serie si trova sulla targhetta del prodotto.  
Σημείωση: Ο σειριακός του αριθμός βρίσκεται στην πινακίδα ονόματος του προϊόντος.

Nota: o número de série encontra-se na placa que contém o nome do produto.  
Bemærk: Serienummeret står på produktets fabriksskilt.  
Obs: Serienumret finns på produktens namnplåt.  
Not: Seri numarasi ürünün isim plakasında yer alır.  
Примечание: серийный номер указан на паспортное табличке изделия.  
Merk: Serienummeret befinner seg på navneplaten til produktet.  
Huomautus: Sarjanumero on merkitty laitteen arvokilpeen.

Directives  
Richtlijnen  
Directives  
Richtlijnen  
Directivas  
Directive  
Οδηγίες

Directivas  
Direktiver  
Direktiv  
Direktifler  
Директивы  
Direktiver  
Direktiivit

2006/95/EC: Low Voltage Directive  
2006/42/EC: Machinery Directive  
2004/108/EC: Electromagnetic Compatibility Directive  
2009/125/EC: Energy-related Products Directive

Our authorized representative in EU, who is authorized to compile the technical file, is as follows.  
Unser autorisierter Vertreter in der EU, der ermächtigt ist die technischen Daten zu kompilieren, ist wie folgt.  
Notre représentant agréé dans L'UE, qui est autorisé à compiler le fichier technique, est le suivant.  
Onze geautoriseerde vertegenwoordiger in de EU, die gemachtigd is het technische bestand te compileren, is als volgt.  
Nuestro representante autorizado en la UE, que está autorizado para compilar el archivo técnico, es el siguiente.  
Il nostro rivenditore autorizzato nell'UE, responsabile della stesura della scheda tecnica, è il seguente.  
Ο εξουσιοδοτημένος αντιπρόσωπός μας στην ΕΕ, ο οποίος είναι εξουσιοδοτημένος να συντάξει τον τεχνικό φάκελο, είναι ο εξής.

O nosso representante autorizado na UE, que está autorizado para compilar o ficheiro técnico, é o seguinte:  
Vores autoriserede repræsentant i EU, som er autoriseret til udarbejdelse af den tekniske fil, er følgende.  
Vår EG-representant som är auktoriserad att sammanställa den tekniska filen är följande.  
Avrupa Birliği'nde bulunan ve teknik dosyayı düzenleme yetkisine sahip yetkili temsilcimiz aşağıda belirtilmiştir:  
Наш авторизованный представитель в ЕС, уполномоченный на составление технического файла, указан ниже.  
Vår autoriserte EU-representant, som har autorisasjon til å utarbeide denne tekniske filen, er som følger.  
Valtuutettu EU-edustaja, joka on valtuutettu laatimaan teknisen eritelmän, on mainittu alla.

**mitsubishi electric europe, b.v.**  
**HARMAN HOUSE, 1 GEORGE STREET, UXBRIDGE, MIDDLESEX UB8 1QQ, U.K.**  
**Yoji SAITO**  
**Product Marketing Director**

Issued: 17 September, 2012  
THAILAND

Tomoyuki MIWA  
Manager, Quality Assurance Department

**MITSUBISHI ELECTRIC CORPORATION**

HEAD OFFICE: TOKYO BLDG., 2-7-3, MARUNOUCHI, CHIYODA-KU, TOKYO 100-8310, JAPAN

JG79A625H01